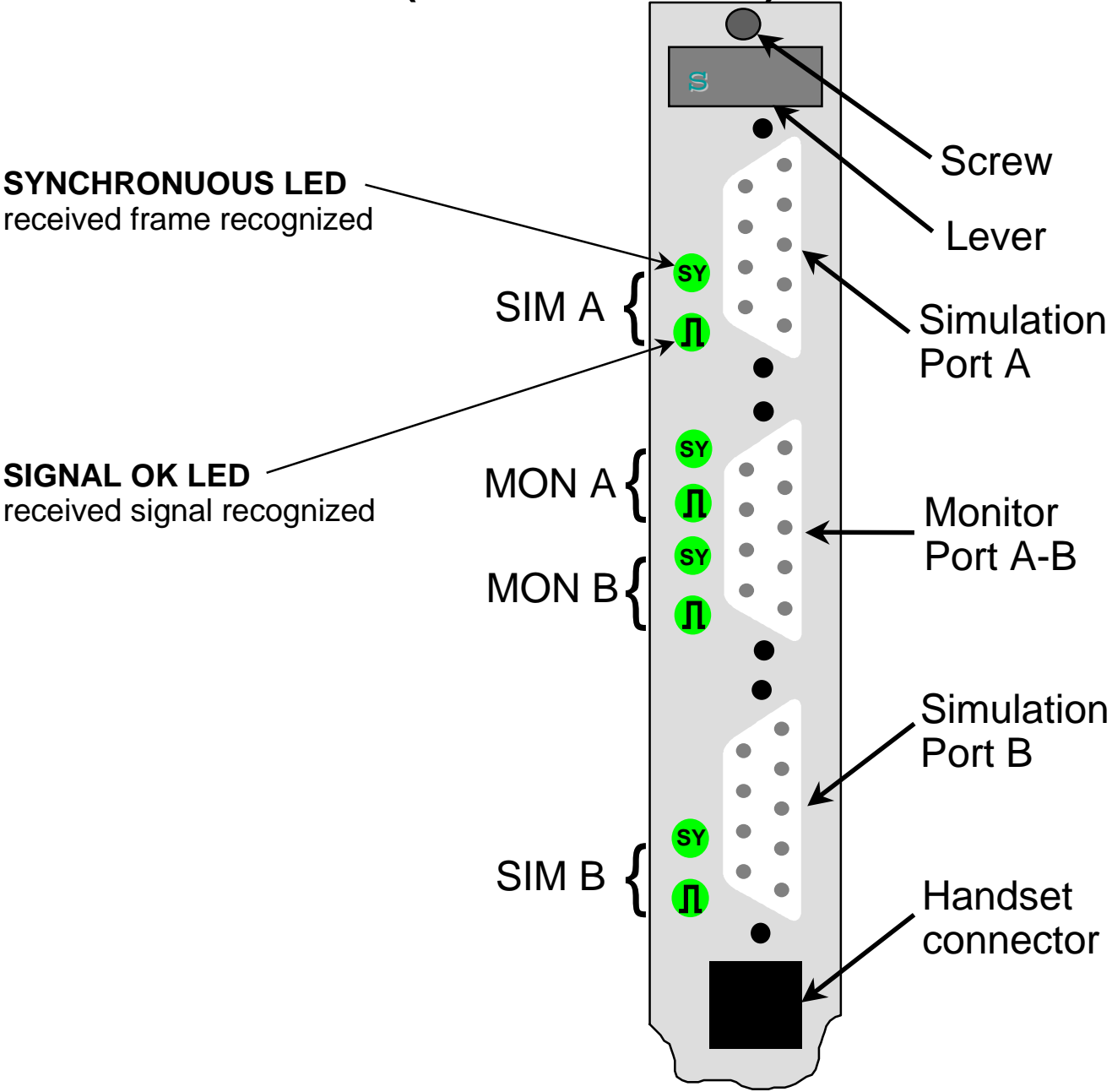
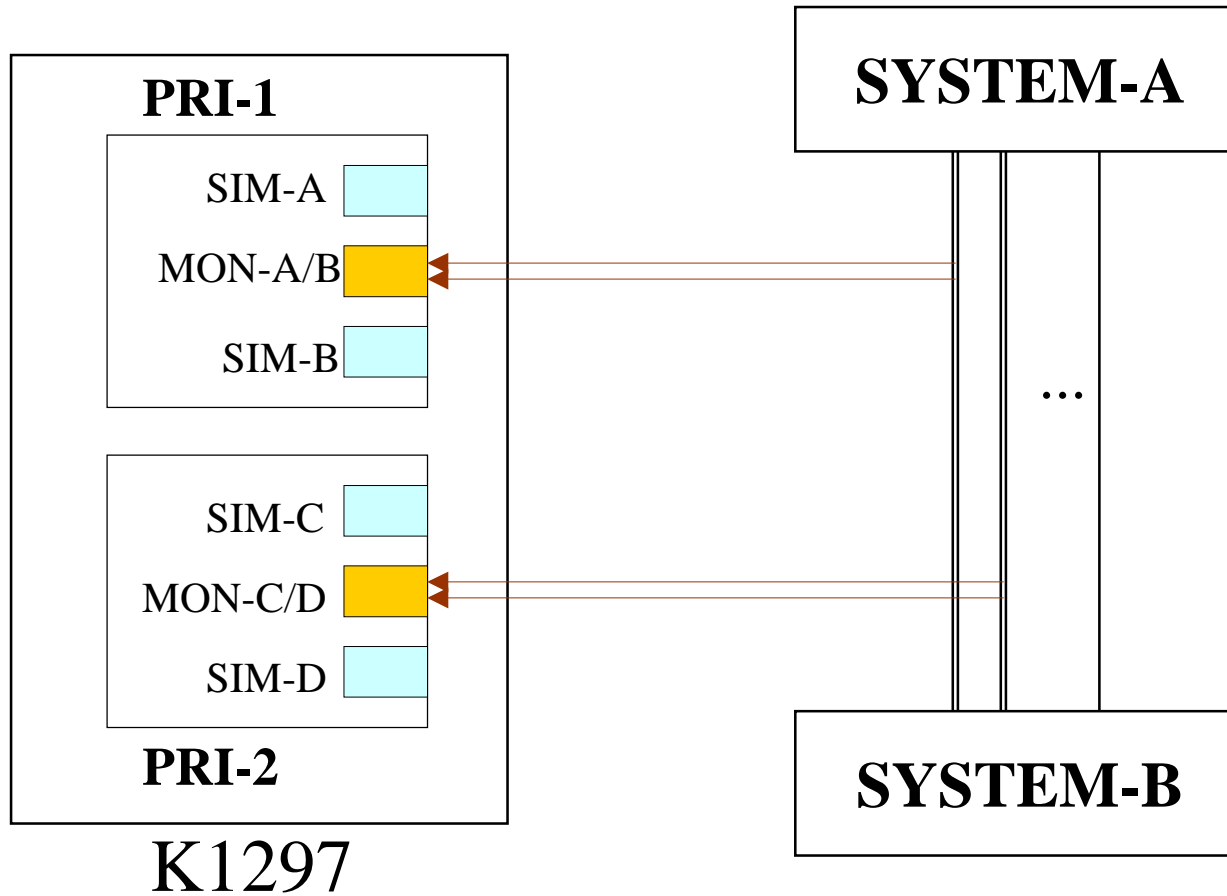


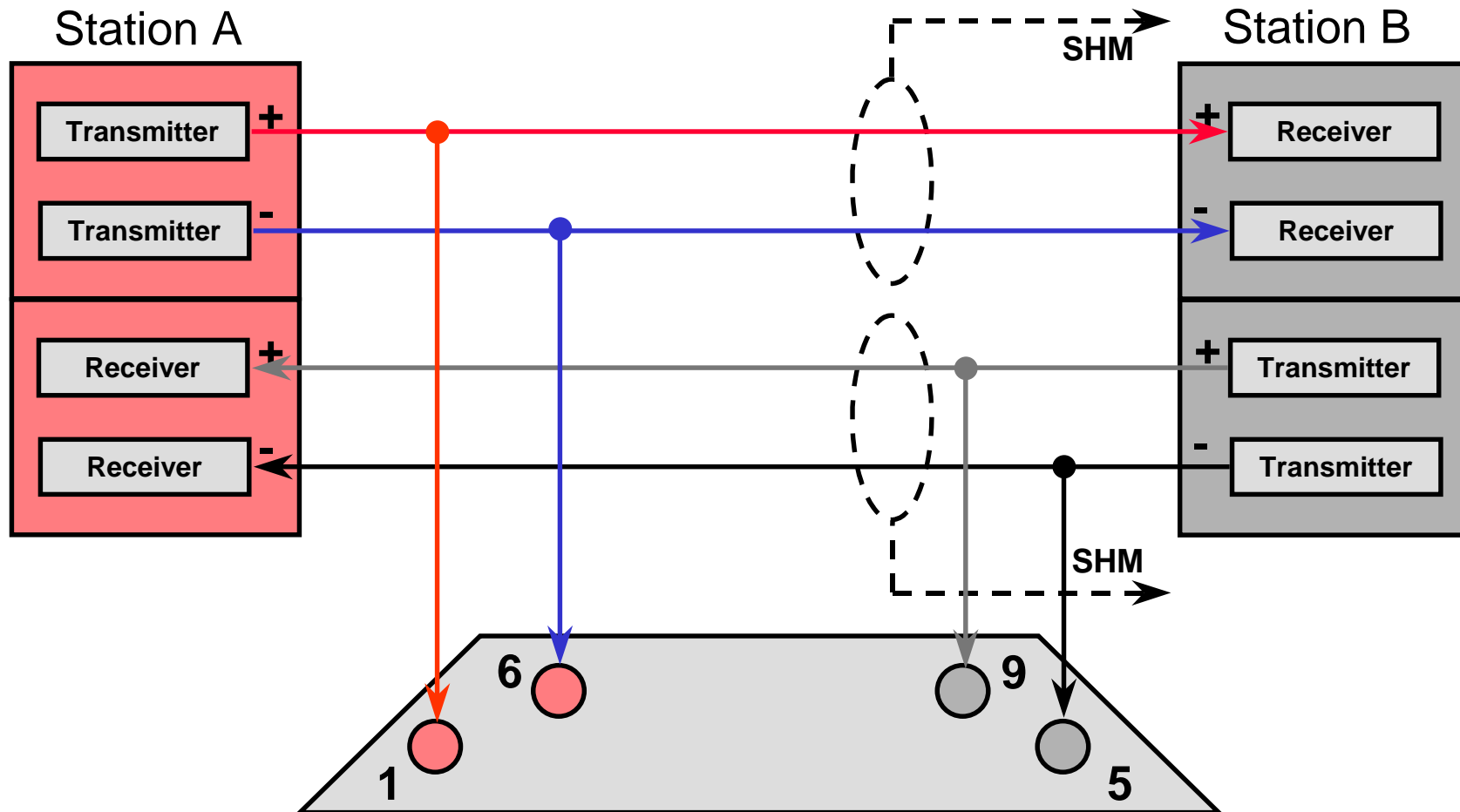
# Connectors (for Narrow band)



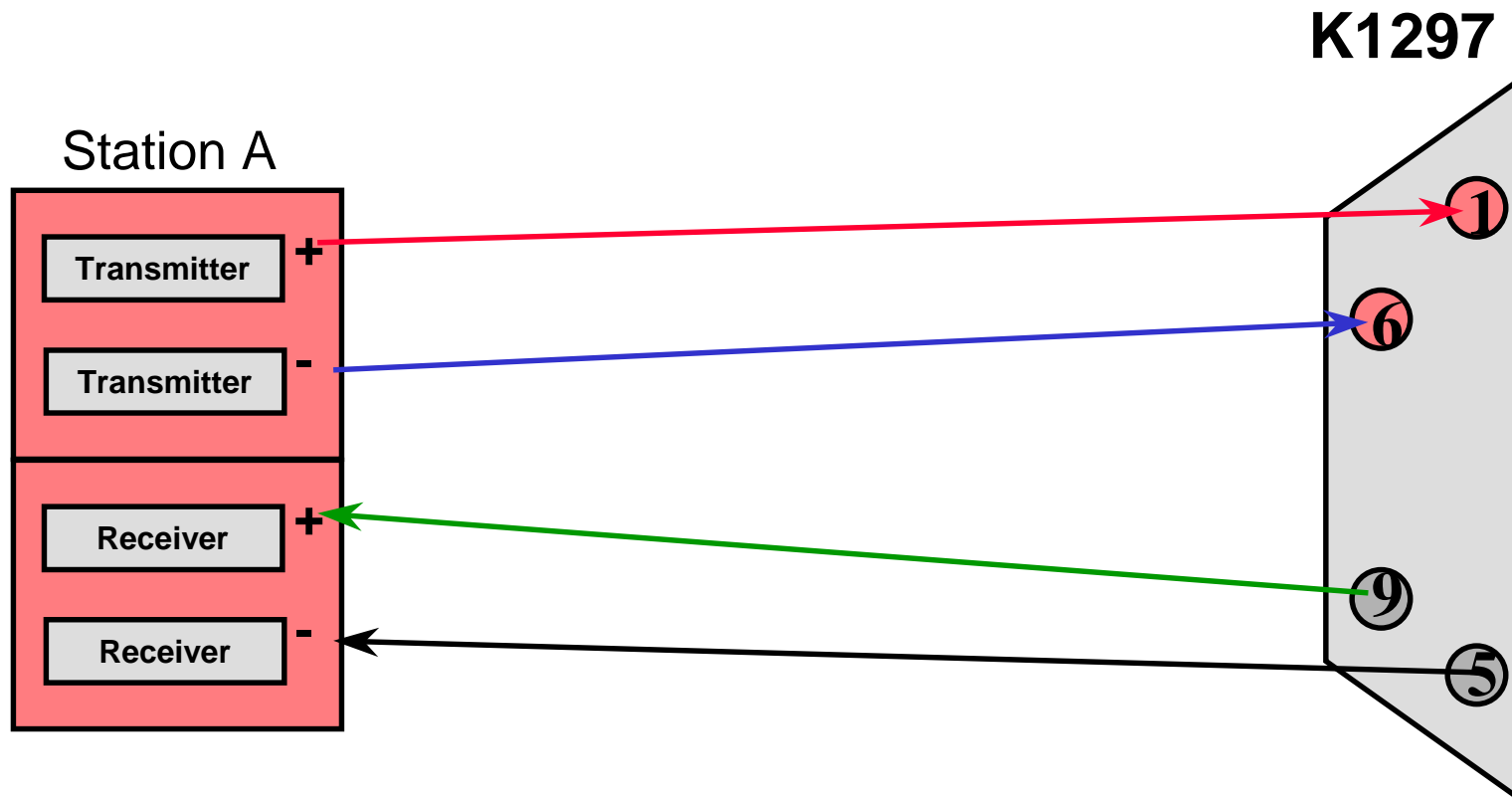
# Monitoring Example



# Monitoring Pin Configuration



# Simulation Pin Configuration



When the station -A is using RJ -48 Connector,

Please refer to pin conf. as 1,2 (Rx) / 4,5(Tx) or 1,2 (Tx) / 4,5(Rx)

# Monitoring Pin Configuration (RJ-48)

